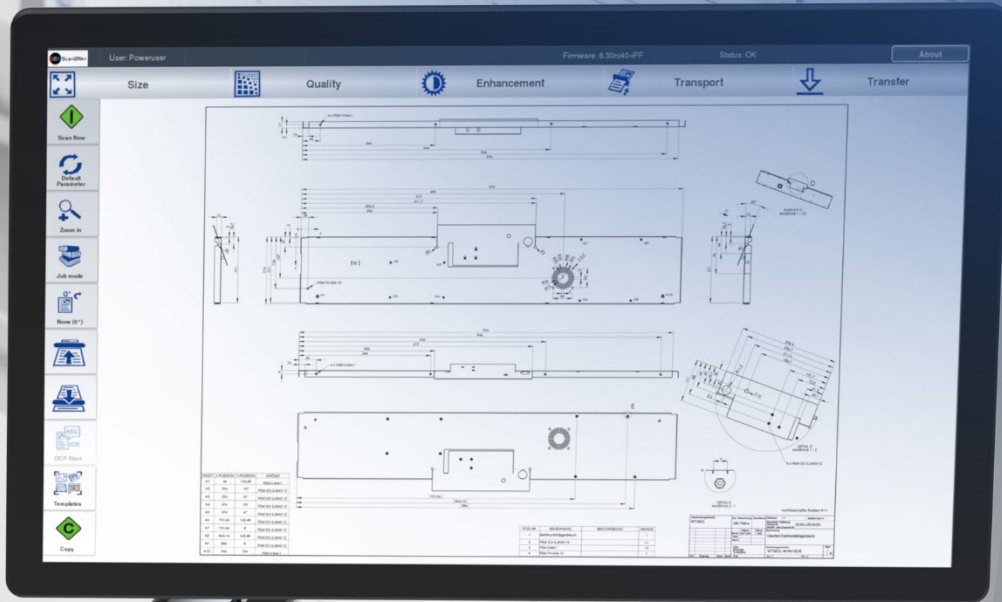


WideTEK®

Accessories 22" Full HD Touch

Mounts to WT36/48/60 Stands



Zoom in and preview scanned images on the 22" full HD monitor. Ergonomic, sturdy, adjustable arm.



© 09_2022 / EN

WideTEK® 22 Inch Full HD Monitor with Adjustable Arm

The WT-TOUCH22-AA is a full HD touchscreen monitor featuring a sturdy arm to affix it to a WT36/48/60-STAND. All cables can be hidden inside the arm.

The monitor features 16:9 full HD (1920 x 1080) resolution and a 3,000:1 high contrast ratio. Combined with a wide (178°/178°) viewing angle it is ideally suited for effective post-scan image previewing.

Operate the scanner, zoom in and preview your scanned images for quality assurance and highest productivity.

Use touchscreen enhanced versions of ScanWizard, PrintWizard and EasyScan with Scan2Net firmware.

Features

- High definition resolution of scanned images in 1920 x 1080 pixels.
- Lift, tilt, pan or rotate for optimal viewing in operation.
- Use with any WideTEK 36/48/60 CCD or CIS scanners.
- Stylish edge to edge glass.
- Multitouch capabilities.
- Simplified manipulation of scans in job mode.
- Predefined and configurable scanner and user templates.
- Power consumption of only 20VA (typical), ENERGYSTAR.



Full HD monitor with adjustable monitor arm mounted to the side of a WT36/48/60-STAND



Rear view of the WideTEK-TOUCH22-AA

TECHNICAL DATA

Resolution	Full HD, 1920 x 1080 pixel
Dimensions	22" diagonal
Weight	8 Kg, 19,5 lbs
Adjustments	Lift 33cm/13", tilt 180°, pan 360°, rotation 360
Connection	Display port, HDMI, VGA, USB2.0 touch
Electrical	90 – 240 V, 20 VA, 45 - 65 Hz
Order Number	WT-TOUCH22-AA



IMAGE ACCESS GMBH

Hatzfelder Str. 161-163
42281 Wuppertal, Germany
Phone: +49 202 27058-0

www.imageaccess.de

IMAGE ACCESS LP

400 N. Belvedere Drive
Gallatin, TN 37066, USA
Phone: +1 (615) 675-4141

www.imageaccess.us